

EBERT Technologie GmbH

Rankenweg 6
44265 Dortmund – Germany
Phone: +49 231 58 44 94 0
Fax: +49 231 58 44 94 20
e-mail: ebert@ebert-technologie.de
www.ebert-technologie.de

Blasformen für Sidel SBO 14 Series 2

Artikelnummer:

1017

Leistung:

Hersteller:

Sidel / Roeders

Baujahr:

2001

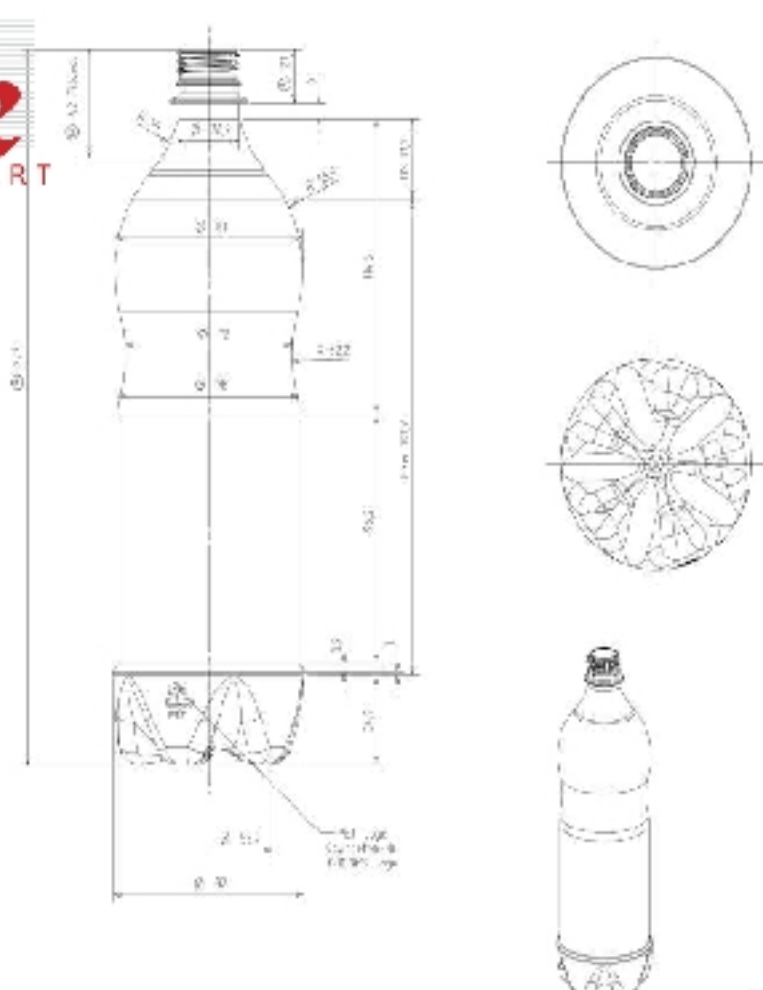
Gebrauchte Blasformen für Sidel SBO 14

1 Satz 500 ml / Durchmesser 65 mm / Höhe 230 mm

1 Satz 1.000 ml / Durchmesser 82 mm / Höhe 277 mm

1 Satz 500 ml / Durchmesser 65 / Höhe: 218 mm

1 Satz 1.000 ml / Durchmesser 85,0 mm / Höhe 276 mm



EBERT

TECHNICAL DRAWING: BOTTLE

Dimensions:
 Total height: 210 mm
 Neck diameter: 20 mm
 Neck length: 30 mm
 Body diameter: 50 mm
 Body height: 150 mm
 Base diameter: 50 mm
 Base height: 10 mm

Views:
 - Front view (left)
 - Top view (middle)
 - Bottom view (right)
 - Isometric view (bottom right)

Notes:

1. THE DRAWING IS THE PROPERTY OF EBERT TECHNOLOGIE GMBH. IT IS NOT TO BE REPRODUCED OR TRANSMITTED IN ANY FORM OR BY ANY MEANS, ELECTRONIC OR MECHANICAL, INCLUDING PHOTOCOPYING, RECORDING, OR BY ANY INFORMATION STORAGE AND RETRIEVAL SYSTEM, WITHOUT THE WRITTEN PERMISSION OF EBERT TECHNOLOGIE GMBH.
2. THE DRAWING IS THE PROPERTY OF EBERT TECHNOLOGIE GMBH. IT IS NOT TO BE REPRODUCED OR TRANSMITTED IN ANY FORM OR BY ANY MEANS, ELECTRONIC OR MECHANICAL, INCLUDING PHOTOCOPYING, RECORDING, OR BY ANY INFORMATION STORAGE AND RETRIEVAL SYSTEM, WITHOUT THE WRITTEN PERMISSION OF EBERT TECHNOLOGIE GMBH.
3. THE DRAWING IS THE PROPERTY OF EBERT TECHNOLOGIE GMBH. IT IS NOT TO BE REPRODUCED OR TRANSMITTED IN ANY FORM OR BY ANY MEANS, ELECTRONIC OR MECHANICAL, INCLUDING PHOTOCOPYING, RECORDING, OR BY ANY INFORMATION STORAGE AND RETRIEVAL SYSTEM, WITHOUT THE WRITTEN PERMISSION OF EBERT TECHNOLOGIE GMBH.
4. THE DRAWING IS THE PROPERTY OF EBERT TECHNOLOGIE GMBH. IT IS NOT TO BE REPRODUCED OR TRANSMITTED IN ANY FORM OR BY ANY MEANS, ELECTRONIC OR MECHANICAL, INCLUDING PHOTOCOPYING, RECORDING, OR BY ANY INFORMATION STORAGE AND RETRIEVAL SYSTEM, WITHOUT THE WRITTEN PERMISSION OF EBERT TECHNOLOGIE GMBH.
5. THE DRAWING IS THE PROPERTY OF EBERT TECHNOLOGIE GMBH. IT IS NOT TO BE REPRODUCED OR TRANSMITTED IN ANY FORM OR BY ANY MEANS, ELECTRONIC OR MECHANICAL, INCLUDING PHOTOCOPYING, RECORDING, OR BY ANY INFORMATION STORAGE AND RETRIEVAL SYSTEM, WITHOUT THE WRITTEN PERMISSION OF EBERT TECHNOLOGIE GMBH.

Legend:

THE DRAWING IS THE PROPERTY OF EBERT TECHNOLOGIE GMBH. IT IS NOT TO BE REPRODUCED OR TRANSMITTED IN ANY FORM OR BY ANY MEANS, ELECTRONIC OR MECHANICAL, INCLUDING PHOTOCOPYING, RECORDING, OR BY ANY INFORMATION STORAGE AND RETRIEVAL SYSTEM, WITHOUT THE WRITTEN PERMISSION OF EBERT TECHNOLOGIE GMBH.

Code	Description	Unit	Quantity	Material
001	Body	mm	1	PP
002	Neck	mm	1	PP
003	Base	mm	1	PP
004	Cap	mm	1	PP
005	Label	mm	1	PP
006	Seal	mm	1	PP
007	Ring	mm	1	PP
008	Flange	mm	1	PP
009	Flange	mm	1	PP
010	Flange	mm	1	PP

Scale: 1:1

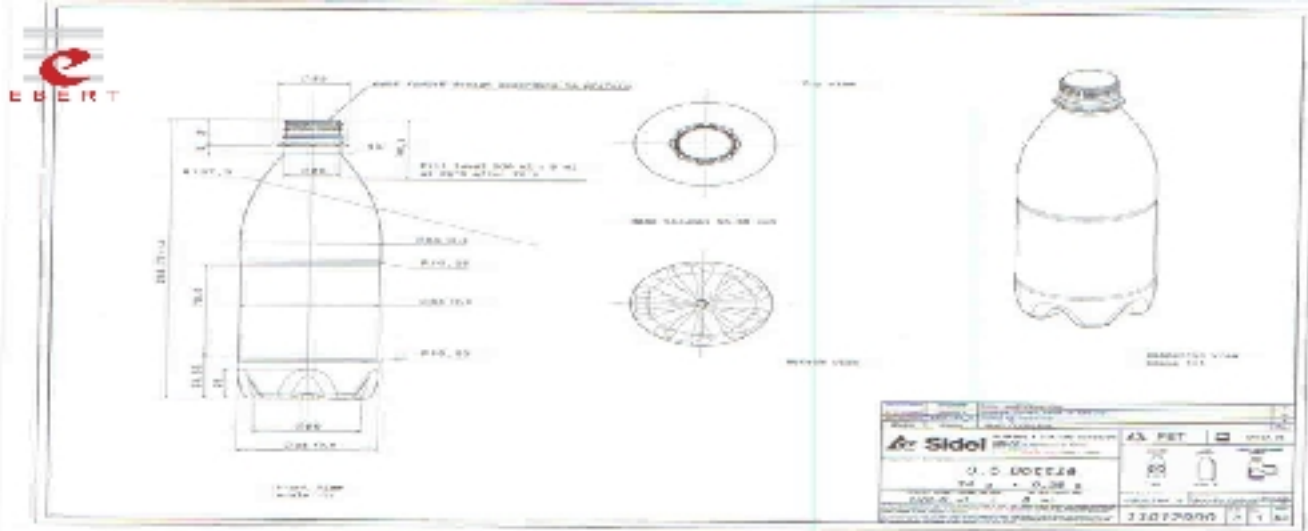
Author: KRONES

Part No.: X-700-03-7970

Revision: A2

Gebrauchsmaschinen für die Getränkeindustrie

EBERT Technologie GmbH



Gebrauchsmaschinen für die Getränkeindustrie

EBERT Technologie GmbH

